

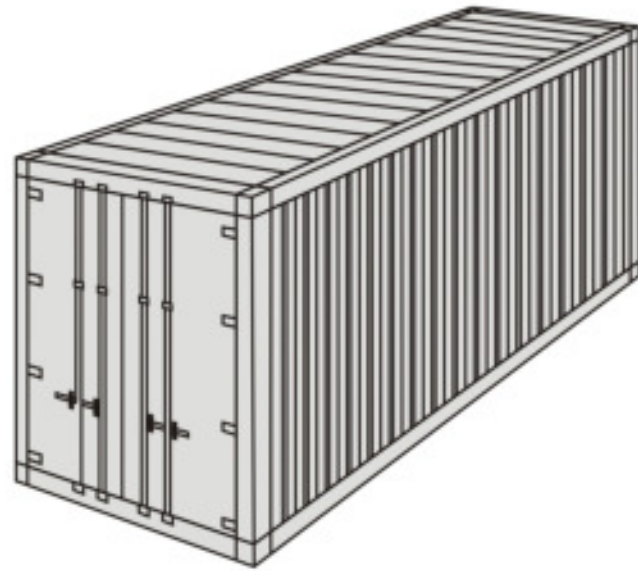


# Shipping containers

Most commonly used container types for shipping

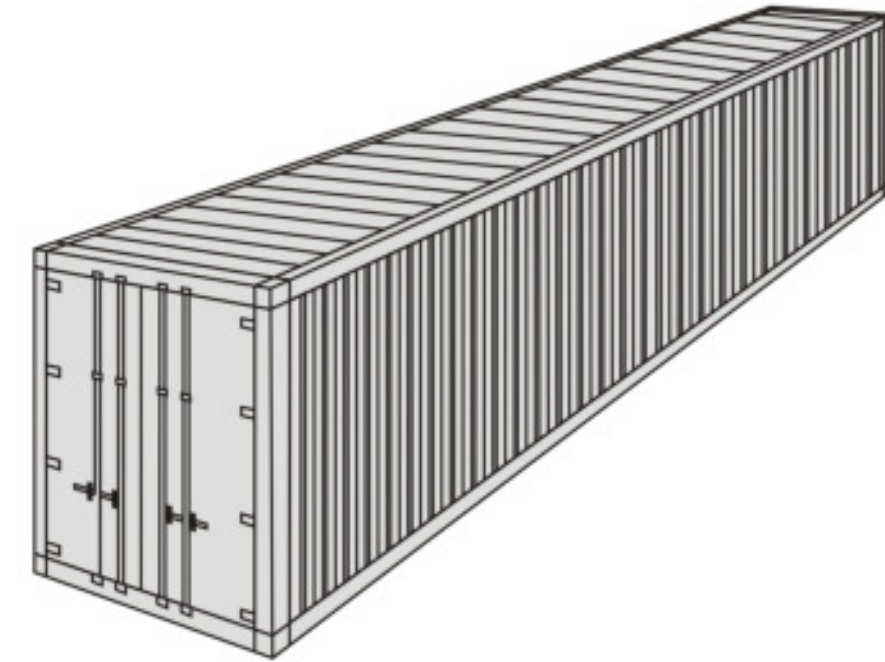
# Shipping Containers

Most commonly used container types for shipping



## 20' DC container

|                                 |                      |                        |
|---------------------------------|----------------------|------------------------|
| External dimensions (L x W x H) | 6.05 x 2.43 x 2.59 m | 19.84 x 7.97 x 8.49 ft |
| Internal dimensions (L x W x H) | 5.9 x 2.35 x 2.39 m  | 19.4 x 7.7 x 7.9 ft    |
| Door opening (W x H)            | 2.34 x 2.28 m        | 7.7 x 7.5 ft           |
| Tare weight                     | 2,300 kg             | 5,071.5 lbs            |
| Payload capacity                | 25,000 kg            | 55,126.9 lbs           |
| Cubic capacity                  | 33 m <sup>3</sup>    | 1,172 cu ft            |



## 40' DC container

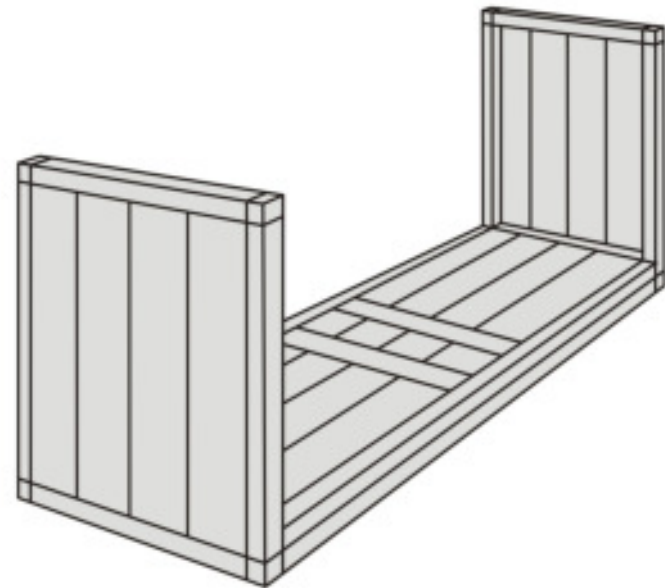
|                                 |                       |                        |
|---------------------------------|-----------------------|------------------------|
| External dimensions (L x W x H) | 12.19 x 2.43 x 2.59 m | 39.99 x 7.97 x 8.49 ft |
| Internal dimensions (L x W x H) | 12.03 x 2.35 x 2.39 m | 39.5 x 7.7 x 7.9 ft    |
| Door opening (W x H)            | 2.34 x 2.28 m         | 7.7 x 7.5 ft           |
| Tare weight                     | 3,750 kg              | 5,071.5 lbs            |
| Payload capacity                | 27,600 kg             | 61,200 lbs             |
| Cubic capacity                  | 67.7 m <sup>3</sup>   | 2,389 cu ft            |

## Dry containers

Dry containers (DC) are freight containers made from steel or aluminium, and is suitable for the transportation of various types of cargo that do not require special conditioning.

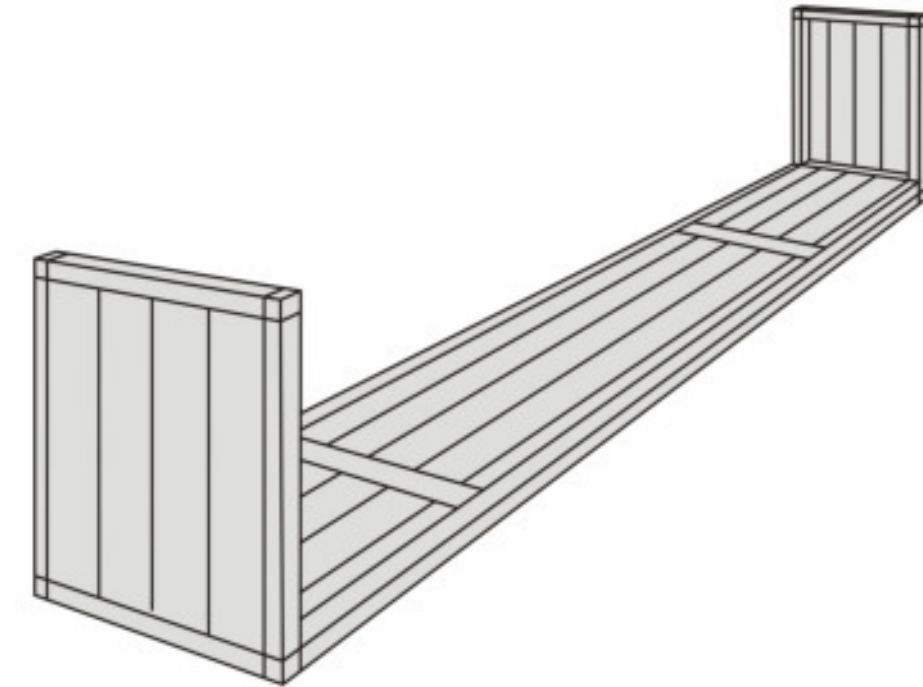
# Shipping Containers

Most commonly used container types for shipping



## 20' flat rack container

|                        |                      |                     |
|------------------------|----------------------|---------------------|
| Dimensions (L x W x H) | 5.94 x 2.35 x 2.35 m | 19.5 x 7.7 x 7.7 ft |
| Tare weight            | 2,360 kg             | 5,071.5 lbs         |
| Payload capacity       | 30,140 kg            | 55,126.9 lbs        |
| Cubic capacity         | 32.7 m <sup>3</sup>  | 1,172 cu ft         |



## 40' flat rack container

|                        |                       |                     |
|------------------------|-----------------------|---------------------|
| Dimensions (L x W x H) | 12.13 x 2.40 x 2.40 m | 39.8 x 7.9 x 7.9 ft |
| Tare weight            | 5,000 kg              | 11,025 lbs          |
| Payload capacity       | 40,000 kg             | 88,200 lbs          |
| Cubic capacity         | 62.2 m <sup>3</sup>   | 2,195.7 cu ft       |

## Flat rack containers

Flat rack containers are a type of specialized containers having walls only at the short end of the container. These containers are suitable for heavy loads and cargo that needs loading from the top or sides.

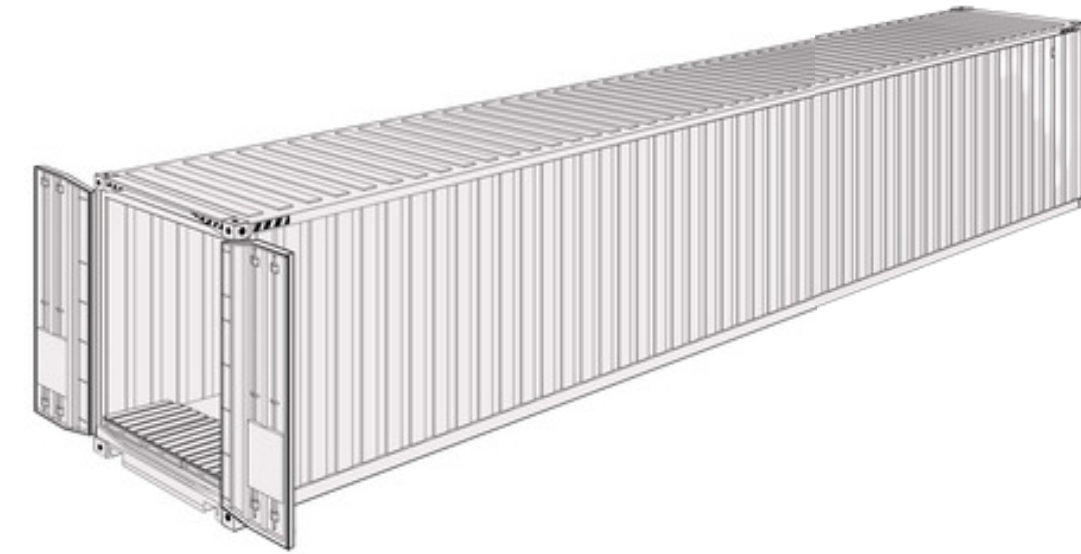
# Shipping Containers

Most commonly used container types for shipping



## 40' high cube dry container

|                                 |                       |                        |
|---------------------------------|-----------------------|------------------------|
| External dimensions (L x W x H) | 12.19 x 2.43 x 2.89 m | 39.99 x 7.97 x 9.48 ft |
| Internal dimensions (L x W x H) | 12.03 x 2.35 x 2.70 m | 39.5 x 7.7 x 8.9 ft    |
| Door opening (W x H)            | 2.34 x 2.58 m         | 7.7 x 8.5 ft           |
| Tare weight                     | 3,940 kg              | 8,687.7 lbs            |
| Payload capacity                | 28,560 kg             | 62,974.8 lbs           |
| Cubic capacity                  | 76.4 m <sup>3</sup>   | 2,696.9 cu ft          |



## 45' high cube dry container

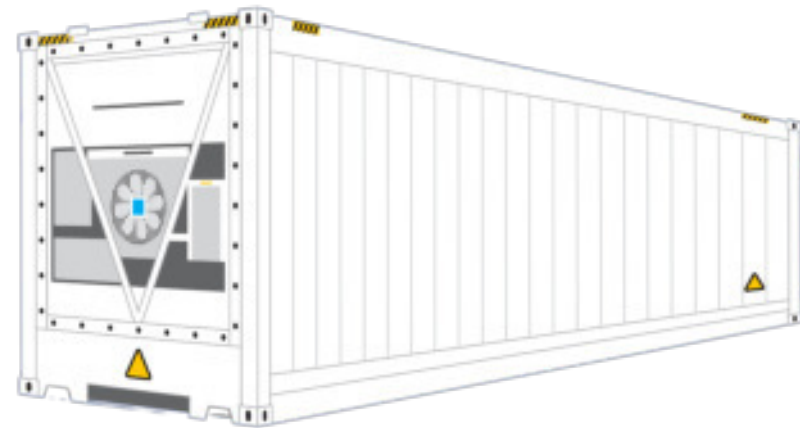
|                                 |                       |                        |
|---------------------------------|-----------------------|------------------------|
| External dimensions (L x W x H) | 13.71 x 2.43 x 2.89 m | 44.98 x 7.97 x 9.48 ft |
| Internal dimensions (L x W x H) | 13.56 x 2.35 x 2.70 m | 44.5 x 7.7 x 8.9 ft    |
| Door opening (W x H)            | 2.34 x 2.58 m         | 7.7 x 8.5 ft           |
| Tare weight                     | 4,820 kg              | 10,628.1 lbs           |
| Payload capacity                | 27,860 kg             | 61,431.3 lbs           |
| Cubic capacity                  | 86 m <sup>3</sup>     | 3,035.8 cu ft          |

## High cube dry container

High cube containers are almost similar to other cargo containers, except height. Compared to other standard containers, high cube containers are taller.

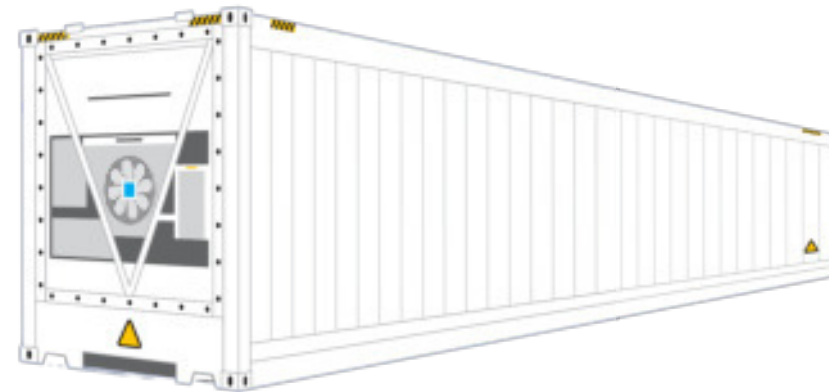
# Shipping Containers

Most commonly used container types for shipping



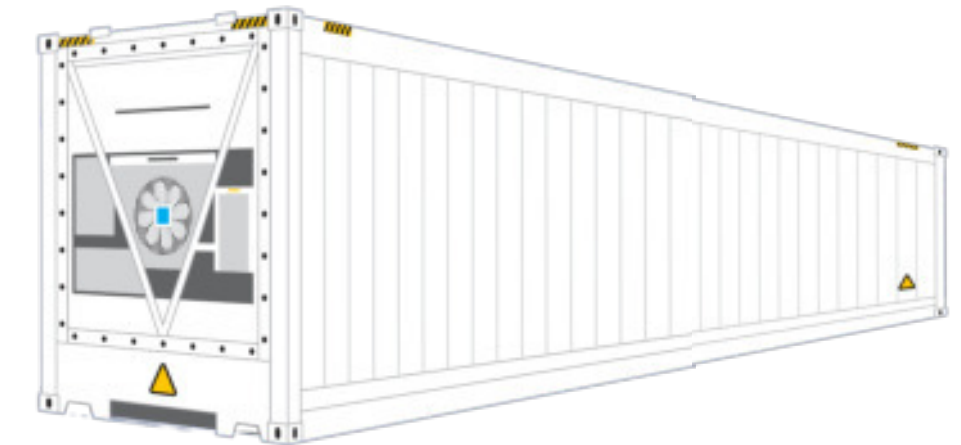
**20' reefer container**

|                                 |                      |                        |
|---------------------------------|----------------------|------------------------|
| External dimensions (L x W x H) | 6.05 x 2.43 x 2.59 m | 19.84 x 7.97 x 8.49 ft |
| Internal dimensions (L x W x H) | 5.44 x 2.29 x 2.27 m | 17.9 x 7.5 x 7.5 ft    |
| Door opening (W x H)            | 2.23 x 2.10 m        | 7.3 x 6.9 ft           |
| Tare weight                     | 3,080 kg             | 6,791.4 lbs            |
| Payload capacity                | 27,400 kg            | 60,417 lbs             |
| Cubic capacity                  | 28.3 m <sup>3</sup>  | 999 cu ft              |



**40' reefer container**

|                                 |                       |                        |
|---------------------------------|-----------------------|------------------------|
| External dimensions (L x W x H) | 12.16 x 2.42 x 2.58 m | 39.89 x 7.93 x 8.46 ft |
| Internal dimensions (L x W x H) | 11.56 x 2.28 x 2.25 m | 37.9 x 7.5 x 7.4 ft    |
| Door opening (W x H)            | 2.29 x 2.26 m         | 7.5 x 7.4 ft           |
| Tare weight                     | 4,800 kg              | 10,584 lbs             |
| Payload capacity                | 27,700 kg             | 61,078.5 lbs           |
| Cubic capacity                  | 59.3 m <sup>3</sup>   | 2,093.3 cu ft          |



**40' high cube reefer container**

|                                 |                       |                        |
|---------------------------------|-----------------------|------------------------|
| External dimensions (L x W x H) | 12.16 x 2.42 x 2.58 m | 39.99 x 8.00 x 9.51 ft |
| Internal dimensions (L x W x H) | 11.58 x 2.29 x 2.40 m | 38.0 x 7.5 x 7.9 ft    |
| Door opening (W x H)            | 2.29 x 2.57 m         | 7.5 x 8.4 ft           |
| Tare weight                     | 4,480 kg              | 9,880 lbs              |
| Payload capacity                | 29,520 kg             | 65,080 lbs             |
| Cubic capacity                  | 67.3 m <sup>3</sup>   | 2,380 cu ft            |

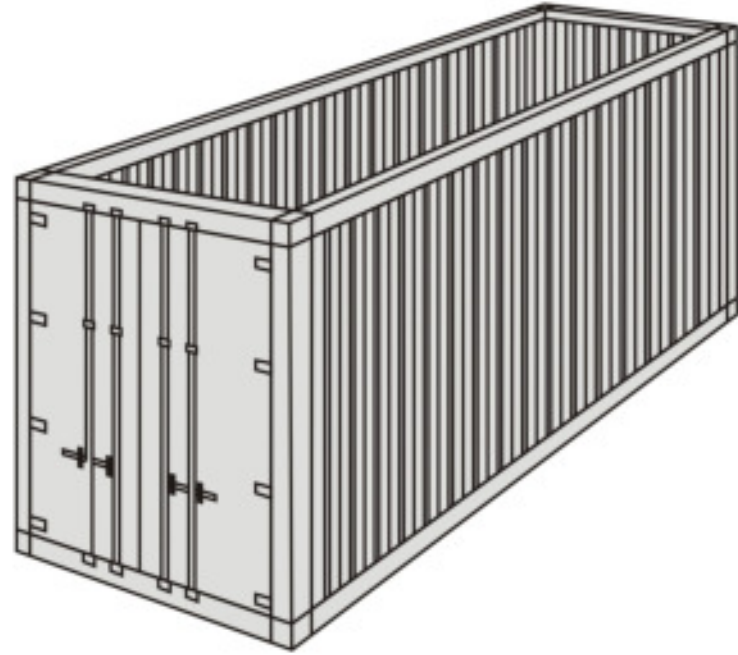
## Reefer containers

A reefer container is a short form for refrigerated container, and is being used to transport goods that requires temperature-controlled conditions in transit.



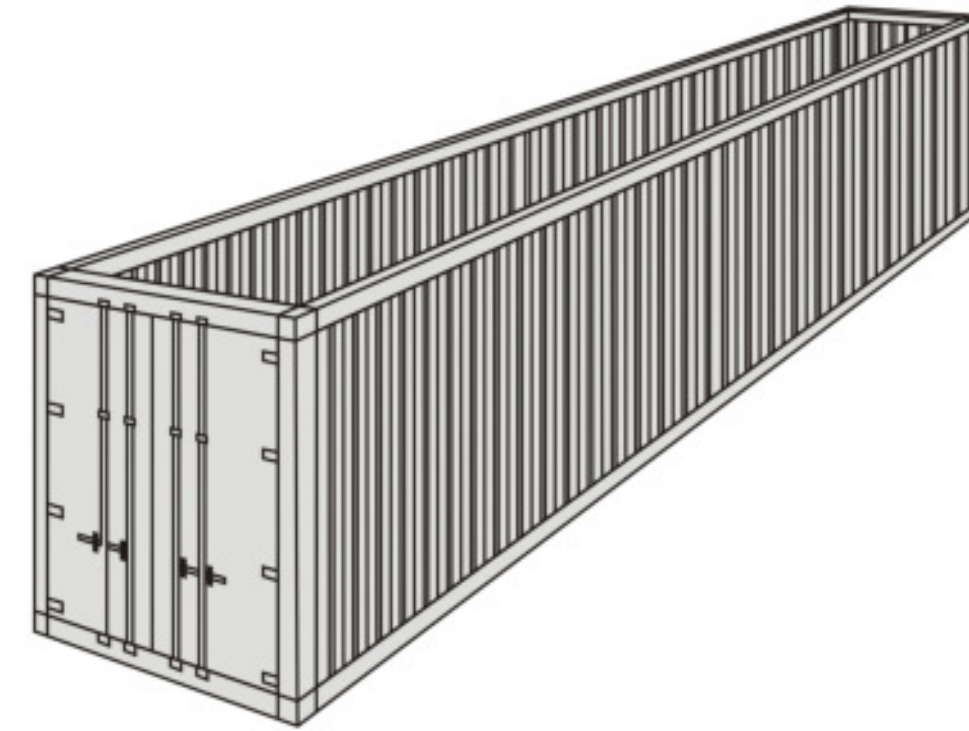
# Shipping Containers

Most commonly used container types for shipping



## 20' open top container

|                                 |                      |                        |
|---------------------------------|----------------------|------------------------|
| External dimensions (L x W x H) | 6.05 x 2.43 x 2.59 m | 19.84 x 7.97 x 8.49 ft |
| Internal dimensions (L x W x H) | 5.9 x 2.35 x 2.38 m  | 19.3 x 7.7 x 7.8 ft    |
| Door opening (W x H)            | 2.34 x 2.28 m        | 7.7 x 7.4 ft           |
| Roof opening (W x H)            | 2.23 x 5.44 m        | 7.3 x 17.8 ft          |
| Tare weight                     | 2,350 kg             | 5,181.8 lbs            |
| Payload capacity                | 28,130 kg            | 62,026.7 lbs           |
| Cubic capacity                  | 32.5 m <sup>3</sup>  | 1,147.3 cu ft          |



## 40' open top container

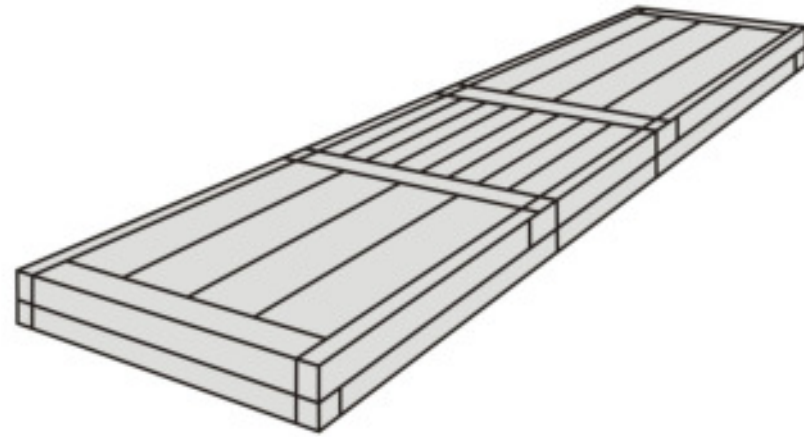
|                                 |                       |                        |
|---------------------------------|-----------------------|------------------------|
| External dimensions (L x W x H) | 12.19 x 2.43 x 2.59 m | 39.99 x 7.97 x 8.49 ft |
| Internal dimensions (L x W x H) | 12.03 x 2.35 x 2.38 m | 39.5 x 7.7 x 7.8 ft    |
| Door opening (W x H)            | 2.34 x 2.29 m         | 7.7 x 7.5 ft           |
| Roof opening (W x H)            | 2.21 x 11.57 m        | 7.3 x 38 ft            |
| Tare weight                     | 3,850 kg              | 8,489.3 lbs            |
| Payload capacity                | 26,630 kg             | 58,719.2 lbs           |
| Cubic capacity                  | 66.4 m <sup>3</sup>   | 2,343.9 cu ft          |

## Open top containers

Open top containers serve similar transport purposes as regular shipping containers, due to the open top, these kind of containers are able to accommodate much larger objects.

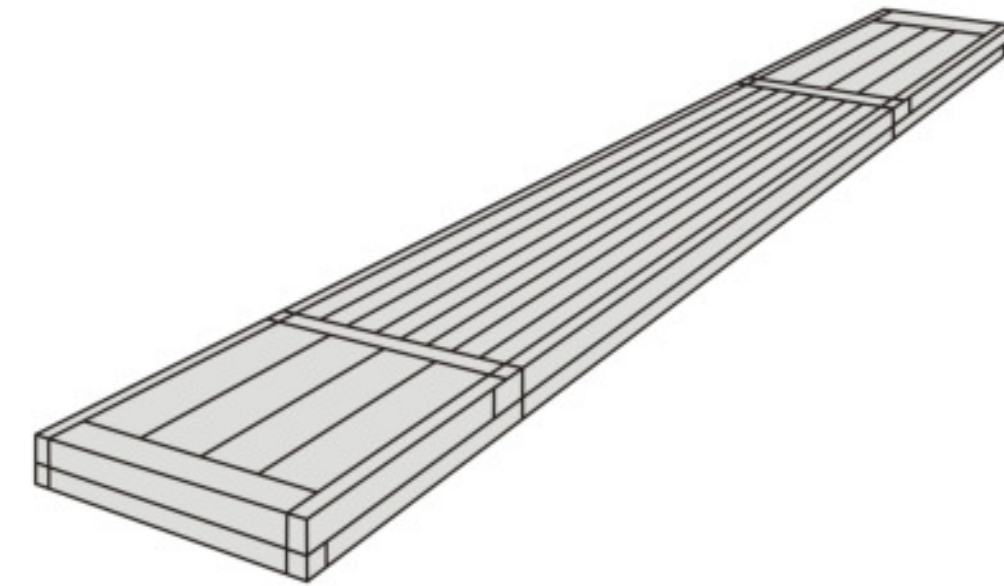
# Shipping Containers

Most commonly used container types for shipping



## 20' platform container

|                    |               |              |
|--------------------|---------------|--------------|
| Dimensions (L x W) | 6.06 x 2.44 m | 19.9 x 8 ft  |
| Tare weight        | 2,740 kg      | 6,041.7 lbs  |
| Payload capacity   | 31,260 kg     | 68,928.3 lbs |



## 40' platform container

|                    |                |              |
|--------------------|----------------|--------------|
| Dimensions (L x W) | 12.19 x 2.44 m | 40 x 8 ft    |
| Tare weight        | 5,700 kg       | 12,568.5 lbs |
| Payload capacity   | 39,300 kg      | 86,656.5 lbs |

## Platform (flatbed) containers

Are containers without sides ends, or a roof. These kind of containers are mainly used to transport heavy loads and overheight or overwidth cargoes..